



GLASSPEC

INSTITUTIONAL FURNITURE

ORDERING INFORMATION

PRICES:

All prices listed are F.O.B. factory, Miami, Florida, any applicable sales tax, freight, packing or color matching charges must be added to these. Since prices are subject to change without notice, verify their currency prior to quoting or purchasing.

ACKNOWLEDGMENTS:

All orders regardless of their size are acknowledged in writing; if one is not received within 10 days of order placement, contact GLASSPEC. Orders will be manufactured and invoiced as per the information in the acknowledgment. If there is a discrepancy in it, please contact GLASSPEC immediately.

The written acknowledgments contain an estimated shipping date; GLASSPEC will make every effort to meet that date and accepts no responsibility beyond that, if an order is shipped before or after that date.

ORDER CHANGES AND CANCELLATIONS:

Acknowledged orders cannot be changed without GLASSPEC's consent. If GLASSPEC agrees to a change or cancellation, the customer agrees to pay the acknowledged unit price for all products made, up to the time GLASSPEC is notified. Cancellations are not accepted once an order has been shipped. Orders for non-standard products are not cancelable.

PHONE ORDERS:

GLASSPEC will accept orders telephoned in; these will be acknowledged and placed in production.

Any discrepancy found between the acknowledgment and the confirming written order will be resolved in GLASSPEC's favor. Failure to confirm within 10 days will cause the order to be dropped from schedule, but will not absolve the buyer from his obligation to pay for all the products made.

TERMS:

- To established accounts: Net 15 days from invoice / shipped date
- To new accounts: Since a credit check can take several weeks, it is highly recommended to first time buyers that they include full payment with the first order, along with 3 trade suppliers and a bank reference.
- Orders for custom products and/or non-standard colors require a 50% deposit with order, regardless of type of account.

Credit terms may be revised or cancelled at GLASSPEC's discretion.

FREIGHT:

Unless otherwise specified by buyer, transportation will be via "best way" (according to GLASSPEC) by common carrier. Shipping charges can be prepaid and added to the invoice, collect or third party.

TITLE OF MERCHANDISE:

For the purpose of risk of loss, buyer agrees and acknowledges that, upon delivery of merchandise by GLASSPEC to the carrier or the buyer's agent, title to the goods and risk of loss passes to the buyer. If the goods arrive damaged, the buyer has the sole obligation of seeking any appropriate recourse against the carrier.

For purposes of risk of loss, all shipments are considered F.O.B. factory or F.O.B. shipping point.

SHIPMENT DAMAGE CLAIMS:

GLASSPEC packs all merchandise to comply with known carrier requirements. All shipments must be inspected by consignee before acceptance and any shortage or damage, however minor, must be clearly noted. It is strongly advised that cartons be opened and merchandise inspected for concealed damage as soon as practical after delivery or within 10 days; the carrier must be notified immediately as their responsibility ceases after 15 days. Carrier is not responsible for concealed damages if merchandise is moved to another location before the damage is reported.

RETURNS:

If the merchandise was shipped as per the written acknowledgment, GLASSPEC will not permit its return under any circumstance.

STORAGE:

All orders must be shipped by date acknowledged, unless the buyer informs GLASSPEC, in writing, at least 3 weeks before said date, of his desire to delay shipment. In absence of such notice, if the buyer fails to find suitable storage, GLASSPEC will do so at buyer's expense and placement of merchandise in storage will be considered as "shipped" for billing purposes.

ONE-YEAR LIMITED WARRANTY:

GLASSPEC warrants that all its products will be free from defects in material and workmanship, under normal use and service, for a period of one year from the receipt, installation or start of service, whichever is latest.

This Limited Warranty is not applicable if the product is damaged by accident, improper installation, unreasonable use, lack of proper maintenance, unauthorized repair or modification or any other cause not related to defects in material and/or workmanship.

Proper maintenance consists of rinsing with mild non-abrasive soap solution periodically or after soiling and wiping clean and dry with a soft cloth. A yearly application of fiberglass or other compatible, furniture wax product will keep the color and finish looking its best.

Under this warranty, GLASSPEC's obligations are limited to repair the product at its factory, or replacement of the product at GLASSPEC's option and expense. Any expenses incurred in the removal or reinstallation of the product, its packing and transportation to and from the factory, and other expenses due to lack of its use are not covered by this warranty.

GLASSPEC's authorization to return a product for inspection purposes, must not be construed as its agreement to cover the alleged defect under its warranty.

The warranty is GLASSPEC's only express warranty of the product. This warranty is expressly made in lieu of any other accidental or consequential costs, expenses or damages.

This warranty gives the purchaser specific legal rights. The purchaser may also have other rights which vary from State to State.

FIRE RETARDANT:

All the furniture is manufactured with resin and additives that yield a Class II rating in the ASTM E-84 test. Other performance may be available, feel free to inquire.

AMERICAN MADE:

All the products and components manufactured by GLASSPEC are made with American materials and labor, in the United States.

MANUFACTURING INFORMATION

At **GLASSPEC**, fiberglass product manufacturing is based on the use of a liquid material, typically a thermosetting polyester resin (vinylesters, urethanes and epoxies are also commonly used) in combination with randomly chopped, continuous strand and/or woven glass fibers.

A chemical reaction initiated in the resin by means of a catalytic agent causes hardening to a strong lightweight final molded part, in which the resin serves as a substrate and the fibers as the reinforcement.

Depending on the characteristics looked for in the final product, wall thickness fluctuates from 1/8" up to 3/4", and different ratios of glass to resin, varying loading of additives into the resin for fire retardant and other purposes, as well as different types of glass fibers are used.

The high quality surface finish is obtained by the previous application of pigmented isothalic gelcoat on the mold surface; this gelcoat gives the product its color as it chemically bonds to the laminate when the laminate is applied. The standard surface finishes are smooth/glossy or textured/matte please refer to individual model description.

Most catalog items can be weighted if required and/or modified to better suit the user; please inquire at the factory.

For assistance in writing a specification, contact the factory with the applicable model number(s).

COLORS:

There are 10 standard colors available, as shown in the color chart. We encourage our customers to send us their color choice for matching -wall paint samples, plastic laminate (i.e.: Formica color chips), fabric swatches are acceptable. There is a \$350.00 net service charge for this service.

DIMENSIONS:

All dimensions are nominal; if exact dimensions are needed, contact the factory and request them.

INQUIRIES:

Direct all inquiries and correspondence to:



GLASSPEC CORPORATION

PO Box 560116, Miami, FL 33256-0116
(800) 328-0888
(305) 255-8444
Fax: (305) 232-8246
www.glasspec.com

This information supersedes all previously distributed and is subject to change without notice.

1-800-328-0888



TABLE OF CONTENTS

DURAMAX Cell Furniture	4
DURACOT Stackable Cot	6
DURAGUARD Restraining Bed	7
DURADORM Bed With Enclosed Sides	8
DURABED / DURABUNK Bed With Four Legs	9
DURASAFE Bed	10
ISOLATION Bed	11
OPTIMA Modular Seating	12
DURABILT Desk/Work Table	13
DURANCE Cruciform Base Table	14
DURATION Pedestal Base Table	15
SAFE DESK / STOOL	16
Glasspec Color Chart	17

CELL FURNITURE

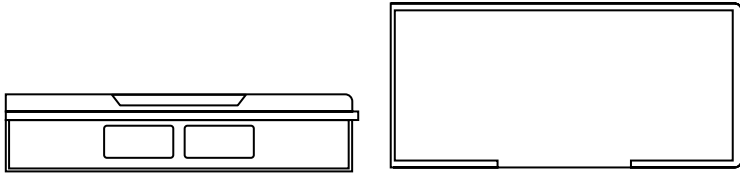


Bed model **803221 RC** shown with optional upper bunk and ladder

Matching furniture pieces to furnish a cell with. Three different beds with enclosed sides, with or without upper bunks; open shelving in three distinct styles; wall mounted desks in practical sizes and a cylindrical stool to compliment them.

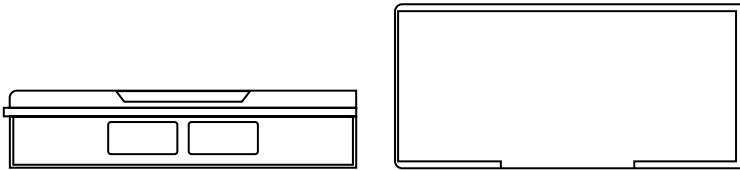
Particular attention has been given to suicide prevention by incorporating sloping surfaces, enclosed sides, rounded corners and one piece construction. Easy to install, easy to maintain, easy to search, built to last.

CELL FURNITURE



Right Corner Wall Mounted Bed

MODEL	HEIGHT	WIDTH	LENGTH	WEIGHT
803221 RC	21"	32 1/2"	80"	100 lbs
Mattress Platform		30"	76"	
Storage Compartments 10" high 18" wide 12" deep				
Upper bunk with ladder available 58" H, 60 lbs.				

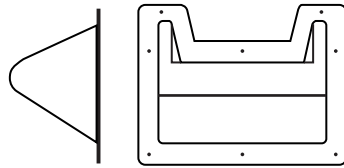


Left Corner Wall Mounted Bed

MODEL	HEIGHT	WIDTH	LENGTH	WEIGHT
803221 LC	21"	32 1/2"	80"	100 lbs
Mattress Platform		30"	76"	
Mirror image of the 803221 RC, above				
Upper bunk with ladder available 58" H, 60 lbs.				

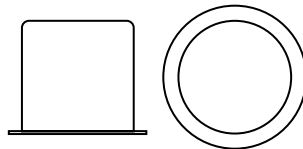
Wall Mounted Bed

MODEL	HEIGHT	WIDTH	LENGTH	WEIGHT
803221 C	21"	32 1/2"	80"	100 lbs
Mattress Platform		30"	76"	
Storage Compartments 10" high 18" wide 12" deep				
Has three enclosed sides and mounts to one wall.				



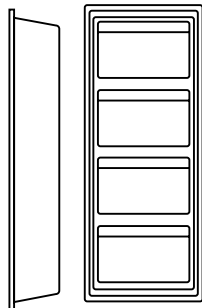
Wall-Hung Writing Surface

MODEL	HEIGHT	WIDTH	DEPTH	WEIGHT
2015 WHD	22"	30"	15"	18 lbs
Flat surface dimensions: 20" W x 14" D.				



Cylindrical Stool

MODEL	HEIGHT	DIAMETER	WEIGHT
1616 S	16"	20"	11 lbs
Seating surface is 16" in diameter.			



4-Shelf Vertical Shelving Unit

MODEL	HEIGHT	WIDTH	WEIGHT
2460 S	63"	28"	45 lbs
Each shelf: 19" W x 10" D			

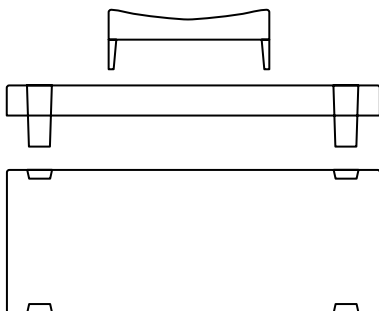
All the above has matte texture surface finish and must be fastened to walls and/or floor; fasteners not included.



STACKABLE COTS



When the dormitory space must fulfill other daytime functions, such as lunchroom and day-room, these lightweight stackable cots can be stored out of the way in a fraction of their space. Extremely comfortable regardless of the mattress used, they offer all the advantages of fiberglass construction: one-piece design, no components, molded-in colors, lightweight, ease of cleaning with soap and water. The textured matte surface finish is stain resistant and non-absorbing.



DURACOT Stackable Cot

MODEL	HEIGHT	WIDTH	LENGTH	WEIGHT
DURACOT	10 1/2"	30"	75"	45 lbs

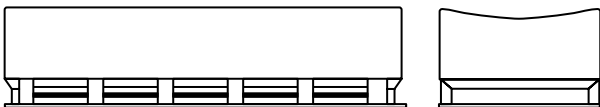
DURAGUARD BED WITH SIDE BARS



The bed is molded in one piece, it is enclosed on all four sides, has a curved top for added comfort and a slightly textured surface finish.

It can be permanently attached through the recessed base. Two, 1/2" diameter steel rods are fitted into the base recess, and anchored every 10", to allow for attaching restraints along the full length of the bed, according to the person's height.

The restraints are optional.



DURAGUARD Bed with Side Bars

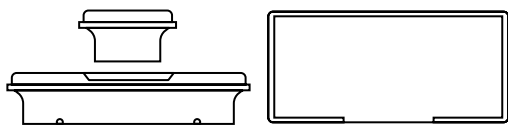
MODEL	HEIGHT	WIDTH	LENGTH	WEIGHT
307516 BR	16"	30"	75"	90 lbs
Mattress Platform		30"	75"	

DURADORM FREE STANDING BED / CLOSED SIDES



Our free-standing closed sides bed borrows from both the corner wall-mounted and the four-legged models. As a freestanding unit, it can simply be set in place, or it can be weighted or bolted to the floor to restrict its mobility. With its fully enclosed sides, it offers an added measure of security and safety.

Or perhaps you just like how it looks! Molded in one piece, with no components to come off, these beds have rounded corners, built-in colors and all the other features you get only from fiberglass, with smooth glossy surface.



DURADORM Platform, Free-Standing Bed

MODEL	HEIGHT	WIDTH	LENGTH	WEIGHT
37916 B	16"	36"	79"	95 lbs
37916 B/E*	16"	36"	79"	110 lbs
Mattress Platform		33"	76"	

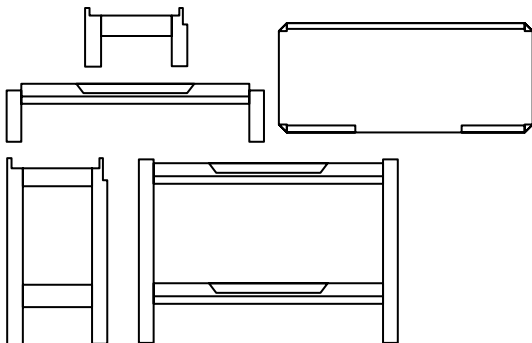
* Enclosed Bottom

DURABED FREE STANDING BED AND BUNK



This four-legged free-standing bed is our most popular model. Its triangular legs are designed to allow fastening to the floor, if required. A contemporary molded unit with built-in colors that completely disguise its utilitarian nature.

It can be purchased as a bunk or one can be added in the field at any time. The bunk supports, that bolt on, are made of steel and painted to match.



DURABED Free-Standing Four-Legged Bed

MODEL	HEIGHT	WIDTH	LENGTH	WEIGHT
347918 FSB	18"	34"	79"	85 lbs
Mattress Platform		30"	79"	

DURABED Free-Standing Four-Legged Upper & Lower Bunk

MODEL	HEIGHT	WIDTH	LENGTH	WEIGHT
347918 FSB/BUNK	55"	34"	79"	205 lbs
Mattress Platform		30"	79"	

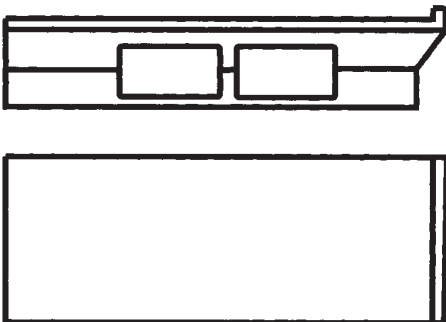
Headroom without mattress is 31 1/2"

DURASAFE

DURAMAX DURASAFE



The DURAMAX DURASAFE is a new generation line of cell beds. It has no exposed fasteners. A mirror image model to mount on the opposite corner, is also available. At 16" high, without the mattress, it will accommodate juveniles and adults. Ample toe space provided by the recessed base. Large storage compartments, rounded corners and edges, fully enclosed sides, no seams and a textured surface finish. With all the features you have come to expect from GLASSPEC's molded fiberglass products.



DURAMAX DURASAFE

MODEL	HEIGHT	WIDTH	LENGTH	WEIGHT
DURASAFE	16"	31"	79"	90 lbs
Mattress Platform		31"	76"	

DURAMAX



DURAMAX ISOLATION BED



Molded fiberglass DURAMAX ISOLATION bed. Closed on four sides, it is freestanding and can be set on casters or permanently anchored. It has a contoured platform for added comfort, with an incline to raise the torso and ample toe space with its recessed base. The surface finish is textured and the standard color is brown. The steel bars are easy to reach, allow for the use of handcuffs while seated and provide a range of restraint attach points, to accommodate different physiques. Rounded corners and edges add an extra margin of safety. Washable, will not absorb body fluids and can be ordered fire retardant. Mental health and substance abuse treatment centers as well as detention facilities have an application for this bed.



DURAMAX Isolation Bed

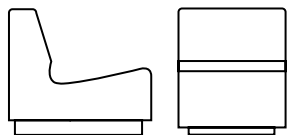
MODEL	HEIGHT	WIDTH	LENGTH	WEIGHT
ISOLATION	21"-24"	30"	75"	110 lbs



MODULAR SEATING GROUP

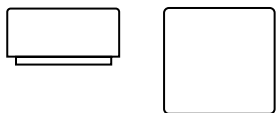


Ideal when sanitary, weather exposure or security conditions preclude the use of upholstery. The OPTIMA® series offers a sturdy, yet comfortable, and economical alternative to bench seating. Consisting of modular pieces, there is no limit as to how many can be joined in a row or combined with tables and back-to-back units to create different groupings. Available in matte textured surface finish.



Single Seat Unit

MODEL	HEIGHT	WIDTH	DEPTH	WEIGHT
OPT-S	22"	27"	30"	32 lbs



Square Table

MODEL	HEIGHT	WIDTH	DEPTH	WEIGHT
OPT-T	16"	30"	30"	46 lbs

DURABILT DESK/WORK TABLE



Molded in one piece, the absence of fasteners and components will make these tables outperform anything in its class, whether in individual rooms, classrooms or as work tables.

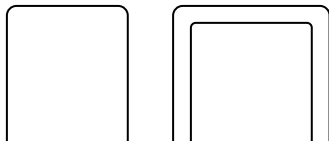
Available in high gloss smooth finish, all sizes can be permanently attached to the floor, through a bottom flange, or to each other.

Their underside is not molded.

DURABILT Rectangular Table/Desk

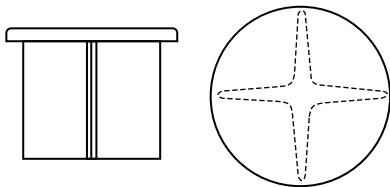
MODEL	DEPTH	HEIGHT	WIDTH
30229 T	24"	29"	30"
36229 D (closed front)	24"	29"	36"

All of these are available in lower heights for youths.
Shelf 12" wide is optional



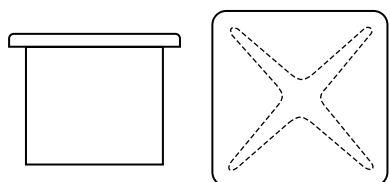
DURANCE CRUCIFORM TABLE

The strongest, most stable freestanding table of molded fiberglass construction. Made into one piece without fasteners, wood or metal components to be concerned about. It can be weighted to further restrict mobility or may be permanently fastened. The base design prevents interference between the occupants. Smooth glossy surface finish. Fiberglass will not absorb foodstuffs, and can be washed with non-abrasive detergents and water.



DURANCE Cruciform Base With Round Top

MODEL	DIA	HEIGHT	WT
4230 RT/F	42"	30"	73 lbs



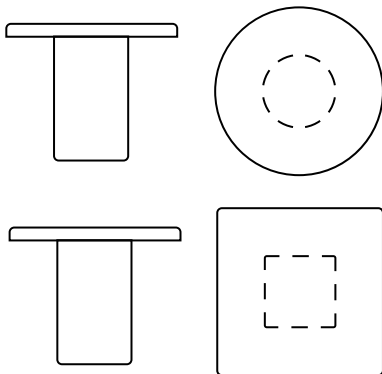
DURANCE Cruciform Base With Square Top

MODEL	SQ	HEIGHT	WT
4230 ST/F	42"	30"	85 lbs

DURATION PEDESTAL TABLES



A hollow pedestal permanently joined to the table top, without mechanical attachments to work loose. These pedestals come in three sizes, according to the size of the top, and they must be filled with sand, gravel or cement for stability. Table tops come in three sizes in either round or square shape. All table tops are available individually for mounting on your frames, see the price list for sizes.



DURATION Round Table

MODEL	DIA	HEIGHT	DIA/BASE	WT
3630 RT/P	36"	30"	16"	30 lbs
4230 RT/P	42"	30"	20"	40 lbs

DURATION Square Table

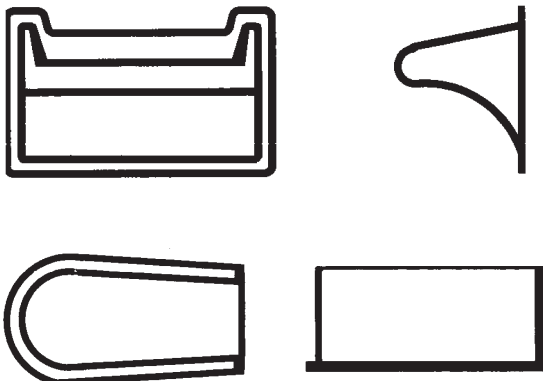
MODEL	SQ	HEIGHT	DIA/BASE	WT
3630 ST/P	36"	30"	16"	30 lbs
4230 ST/P	42"	30"	20"	44 lbs

SAFE DESK / STOOL

Addressing the need for Safe Furniture, not likely to cause injury or death, Glasspec is adding these two items to its furniture line, complementing the DURASAFE bed, introduced several years ago, which has no exposed fasteners.

The wall mounted SAFDESK has sloping ends which prevent anything looped over it, to hold, it also has rounded corners and edges, and is molded in one piece. The inside of the desk is filled solid to prevent drumming and more knee space has been created for added comfort.

The SAFSTOOL attaches to the floor and wall which eliminates the possibility of wrapping something around it. It also has rounded edges, is made in one piece and the inside is filled solid. It is not attached to the desk and either piece can be purchased independently.



SAFE DESK / STOOL

MODEL	HEIGHT	WIDTH	LENGTH	WEIGHT
SAFDESK	22"	30"	15"	25 lbs
with a writing surface		20"	14"	
SAFSTOOL		13"	47"	25 lbs



COLORS



These colors are printed reproductions of the actual fiberglass.
If the color must match exactly, contact the factory to request a color chip.



1-800-328-0888